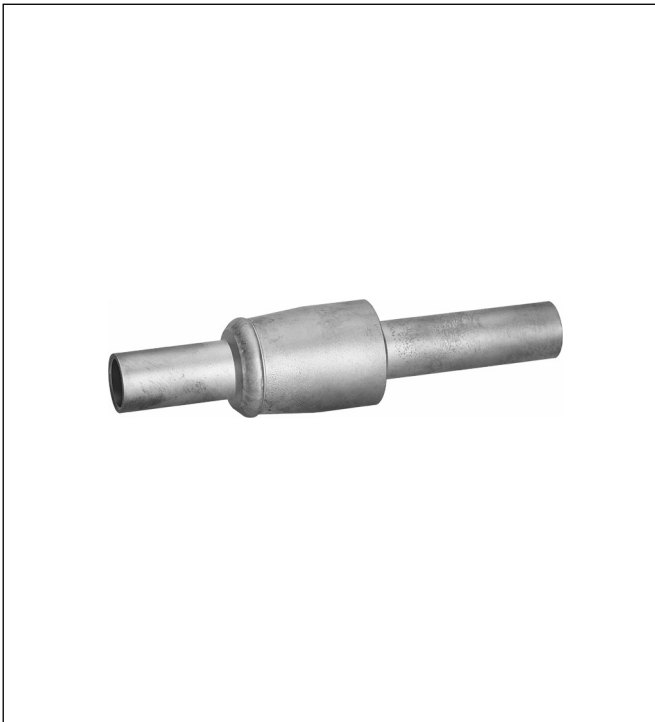


## Series RV CHECK VALVES FOR ALL FLUORINATED REFRIGERANTS

### PRODUCT DATA



### Features

- Hermetically welded type
- Low pressure drop
- Copper plated solder connections
- Refrigerants: all CFC, HCFC, HFC, not for ammonia

### Specification

<b>Nominal capacity range</b>	see table on page 2
<b>Maximum pressure PS</b>	43 bar(a) 32.5 bar(a) (RV-07S) 11 bar(a) at t < -20 °C
<b>Maximum test pressure PF</b>	61.5 bar(a) 46.5 bar(a) (RV-07S) 15.7 bar(a) at t < -20 °C
<b>Maximum temperature</b>	120 °C
<b>Minimum temperature</b>	-40 °C

### Application

Check valves series RV are installed in the liquid line, hot gas line or suction line of a refrigerated plant to permit the flow of the refrigerant only in one direction. This is realised by a spring-loaded piston which opens the valve only in one direction.

### Materials

<b>Housing, piston</b>	brass
<b>Sealing material</b>	Teflon
<b>Connection tubes</b>	copper plated brass

## Capacities

Type	$\Delta P^*$ (bar)	kv- value (m <sup>3</sup> /h)	Q <sub>N</sub> (kW)											
			Liquid line				Suction gas line				Hot gas line			
			R22	R134a	R404A R507A	R407C R410A	R22	R134a	R404A R507A	R407C R410A	R22	R134a	R404A R507A	R407C R410A
RV-02 MMS RV-02 S	0.06	0.37	6.7	6.2	4.4	6.2	1.0	0.8	0.8	1.0	4.4	3.2	3.7	4.7
RV-03 MMS RV-03 S	0.06	1.75	31.7	29.3	20.8	29.2	4.7	3.8	3.8	4.5	20.8	15.1	17.5	22.2
RV-04 MMS RV-04 S	0.05	3.27	59.2	54.8	38.9	54.6	8.8	7.1	7.1	8.4	38.0	28.3	32.7	40.6
RV-05 S	0.05	3.64	65.9	61.0	43.3	60.7	9.8	7.9	7.9	9.3	43.3	31.5	36.4	46.3
RV-07 S	0.03	7.50	136.4	126.4	89.5	125.7	20.5	16.3	17.0	19.5	87.5	63.8	75.0	93.5

\*  $\Delta P$  = min. pressure drop at which the valve is completely open

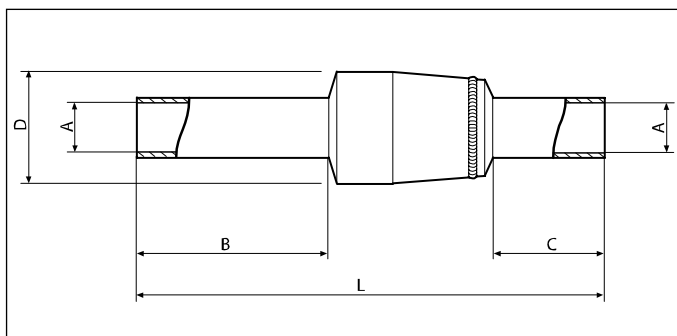
The nominal capacity Q<sub>N</sub> as mentioned in table above refers to the following conditions:

Liquid and suction gas:

evaporating temperature t<sub>0</sub>: +4 °C  
 condensing temperature t<sub>c</sub>: +38 °C  
 pressure drop: 0.15 bar

Hot gas:

temperature of hot gas: +85 °C  
 pressure drop: 1.0 bar



## Dimensions and Weights

Type	Connection (A)	Dimensions (mm)				Weight (kg)
		B	C	D	L	
RV-02 MMS	6 mm ODF	42	22	18	95	approx. 0.05
RV-02 S	1/4" ODF	42	22	18	95	
RV-03 MMS	10 mm ODF	42	22	18	95	approx. 0.05
RV-03 S	3/8" ODF	42	22	18	95	
RV-04 MMS	12 mm ODF	48	28	27	117	approx. 0.15
RV-04 S	1/2" ODF	48	28	27	117	
RV-05 S	16 mm ODF 5/8" ODF	48	28	27	117	approx. 0.20
RV-07 S	22 mm ODF 7/8" ODF	72	72	35.5	186	approx. 0.25

**Honeywell**

### Automation and Control Solutions

Honeywell GmbH  
 Hardhofweg  
 74821 Mosbach/Germany  
 Phone: +49 (0) 62 61 / 81-475  
 Fax: +49 (0) 62 61 / 81-461  
 E-Mail: [cooling.mosbach@honeywell.com](mailto:cooling.mosbach@honeywell.com)  
[www.honeywell-cooling.com](http://www.honeywell-cooling.com)

Manufactured for and on behalf of the  
 Environment and Combustion Controls  
 Division of Honeywell Technologies Sàrl,  
 1180 Rolle, Z. A. La Pièce 16, Switzerland  
 by its authorized representative Honeywell GmbH