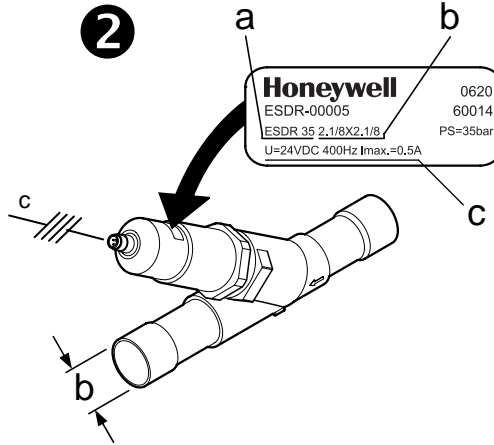
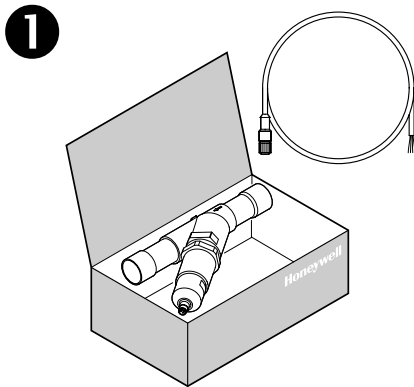


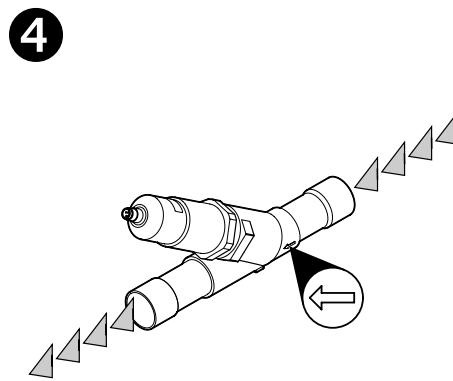
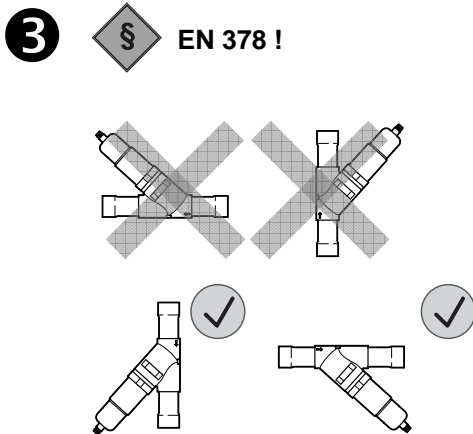
ESDR

Einbau-Anleitung • Installation instructions • Instructions de montage
Istruzioni per il montaggio • Instrucciones de instalación



PS = 35 bar
P_{test} = max. 38.5 bar
TS = -50 °C...+65 °C

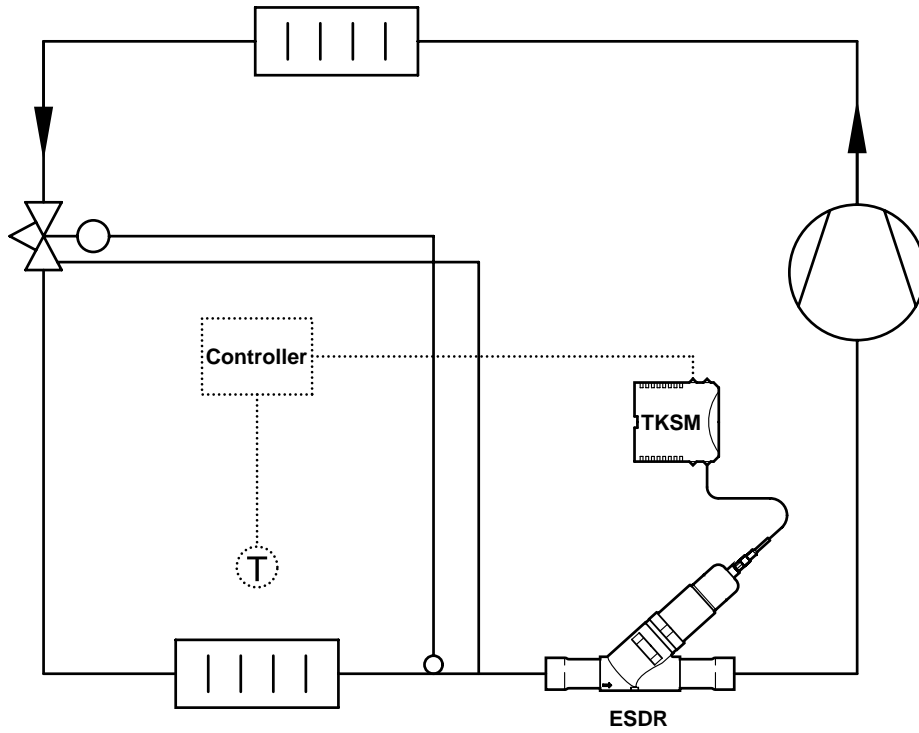
a) ESDR 35, ESDR 22



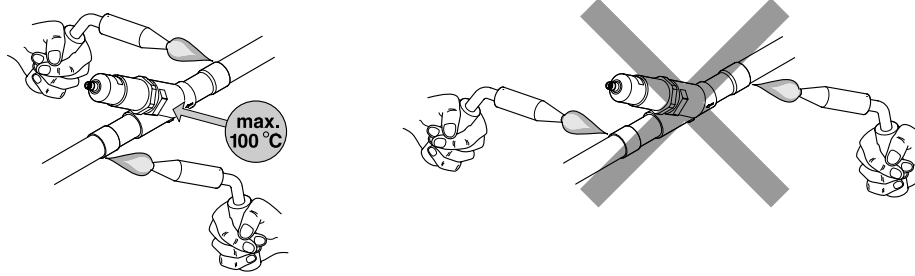
MU1H-1943GE23 R0809

EB-ESDR-001

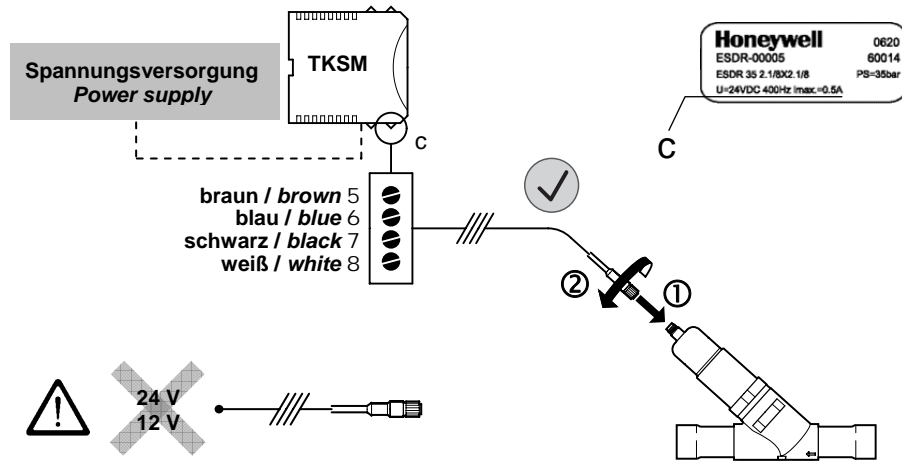
5



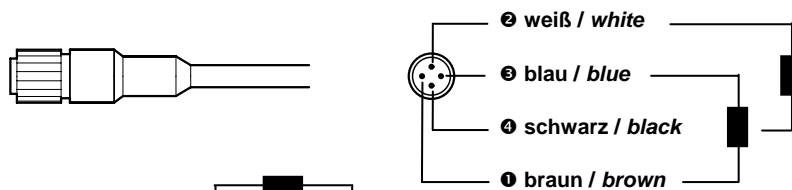
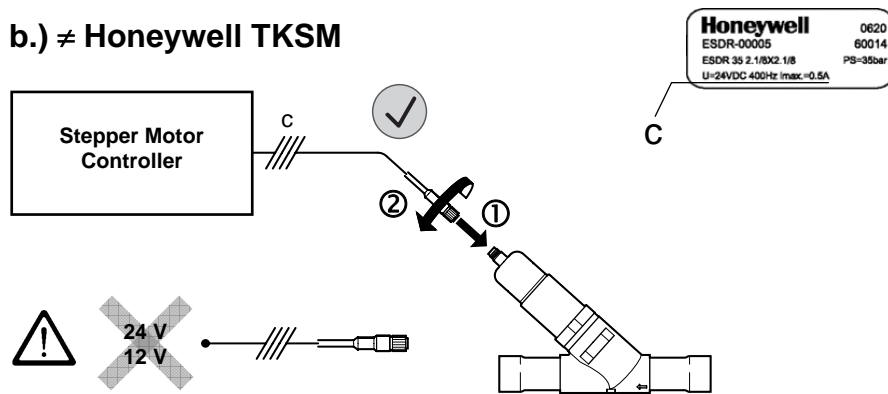
6



7 a.) Honeywell TKSM



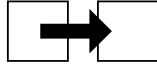
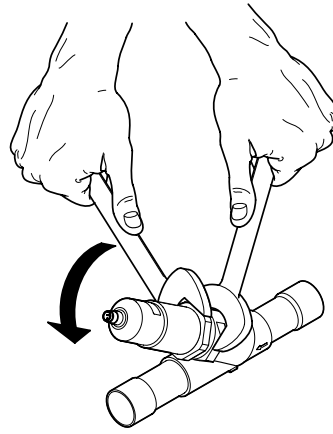
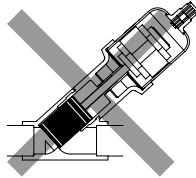
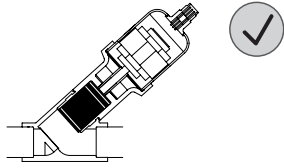
7 b.) ≠ Honeywell TKSM



Schritt / Step	1	2	3	4	öffnen / opening	schließen / closing
1	+	-	-	+	↶	↷
2	-	-	+	+	↷	↶
3	-	+	+	-	↶	↷
4	+	+	-	-	↷	↶

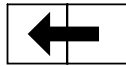
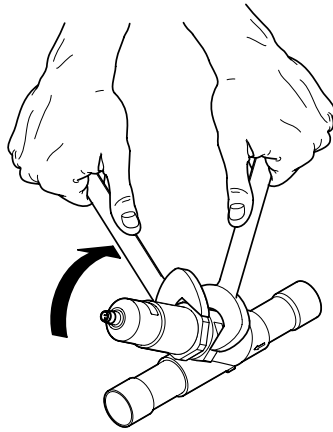
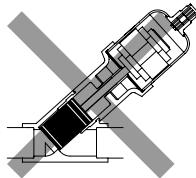
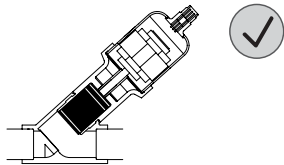
8 Technische Daten / *Technical Data*

Version <i>Version</i>	24 V	12 V
Schrittmotor-Typ <i>Stepper motor type</i>	2 Phasen bipolar <i>2-Phase bipolar</i>	
Nennspannung <i>Nominal voltage</i>	24 V getaktet <i>24 V chopper controlled</i>	12 V getaktet <i>12 V chopper controlled</i>
Nennphasenstrom <i>Nominal phase current</i>	0.5 A	0.7 A
Max. Phasenstrom <i>Max. phase current</i>	0.75 A (kurzzeitig / <i>short time</i>)	1 A (kurzzeitig / <i>short time</i>)
Haltestrom <i>Holding current</i>	max. 0.5 A	max. 0.7 A
Schrittfrequenz <i>Step rate</i>	400 Hz	300 Hz
Phasenwiderstand <i>Phase resistance</i>	13 Ohm	6 Ohm
Phaseninduktivität <i>Phase inductance</i>	30 mH	14 mH
Schrittwinkel <i>Step angle</i>	1.8 °	
Hub <i>Stroke</i>	ESDR 22 = 21 mm ESDR 35 = 34 mm	
Öffnungs- / Schließzeit <i>Opening- / Closing time</i>	ESDR 22 = 10.5 sec ESDR 35 = 17 sec	ESDR 22 = 14 sec ESDR 35 = 22.7 sec
Max. Schrittzahl <i>Total steps</i>	ESDR 22 = 4200 ESDR 35 = 6800	
Referenzposition <i>Reference position</i>	geschlossenes Ventil <i>closed valve</i>	
Elektrischer Anschluss <i>Electrical connection</i>	4 x 0.34 mm ² / 3 m	
Kv-Wert <i>cv-value</i>	ESDR 22 = 17 m ³ /h ESDR 35 = 46 m ³ /h	

9**Demontage / Disassembling**

**Kältemittel ordnungsgemäß entfernen.
Anlage muss drucklos sein.**

**Remove refrigerants properly. Plant must
be pressure-free.**

10**Montage / Assembling**

ESDR 22 = 40 Nm +5 Nm

ESDR 35 = 130 Nm +10 Nm



Honeywell

Automation and Control Solutions

Honeywell GmbH

Hardhofweg • 74821 Mosbach / Germany

Phone: +49 (0) 62 61 / 81-475

Fax: +49 (0) 62 61 / 81-461

E-Mail: Cooling.Mosbach@honeywell.com

www.honeywell-cooling.com

Manufactured for and on behalf of the
Environment and Combustion Controls
Division of Honeywell Technologies Sàrl,
1180 Rolle, Z. A. La Pièce 16, Switzerland
by its authorized representative Honeywell GmbH