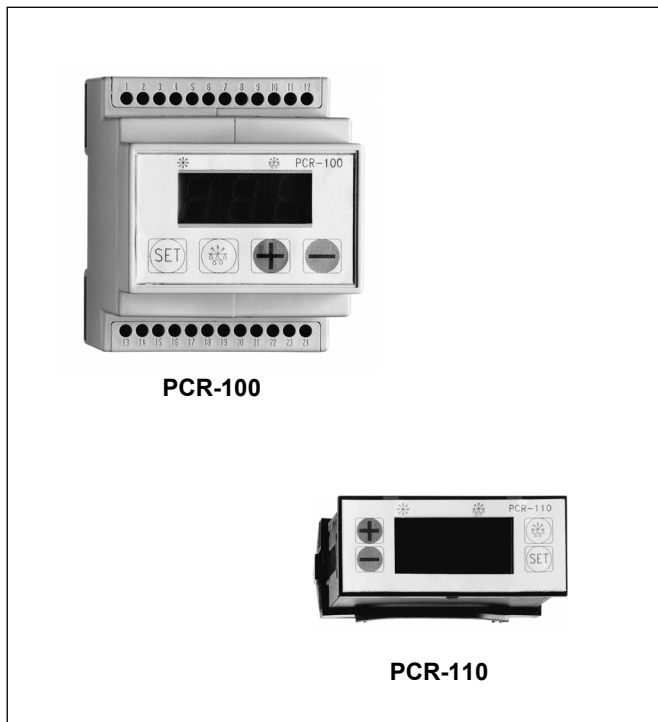


## Series PCR-100 / PCR-110 ELECTRONIC THERMOSTATS

### PRODUCT DATA



### Features

- User friendly programming
- Thermostat for refrigeration and heating
- Relay output
- Defrost option for plus cold stores with continuous operation of evaporator fan
- Alarm output relay
- Red digital display, good visibility
- PCR-100: Module housing for 35 mm standard DIN rail
- PCR-110: Snap-in installation housing for aperture 28.5 x 70.5 mm
- PTC sensors with stainless steel sleeves
- Mains transformer integrated

### Specification

<b>Power supply</b>	230 V, $\pm 10\%$ , 50/60 Hz
<b>Power consumption</b>	2.1 Watt
<b>Control performance</b>	on-off
<b>Display</b>	3-digit, 7-segment, LED red, height 14.2 mm
<b>Resolution</b>	1 K
<b>Display accuracy</b>	$\pm 0.5$ K internally, $\pm 1$ digit at 25 °C
<b>Measuring range</b>	-55 °C to +50 °C
<b>Input</b>	1 PTC sensor
<b>Outputs</b>	<b>compressor or heater:</b> 1 relay with changeover contact, 8 A, 230 V AC resistive load <b>alarm:</b> 1 relay with N. O. contact, 5 A, 230 V AC, resistive load
<b>Sensor</b>	PTC sensor, cable length 2.5 m, accuracy $\pm 2\%$ range of use: -30 °C to +80 °C cable not fixed -40 °C to +80 °C cable fixed
<b>Ambient temperature/humidity</b>	in operation: 0° to + 50 °C, 30 to 85 % R.H. excluding dew in storage: -20 °C to +80 °C
<b>Data back up</b>	Non-volatile memory EEPROM
<b>Connectors</b>	250V / 10 A screw-type terminal strips, max. 1.5 mm <sup>2</sup>
<b>Protective rating</b>	Housing: IP 20, front panel: IP 52, protection class 2

### Application

PCR-100 and PCR-110 are microprocessor-controlled thermostats for refrigeration, deep freeze systems and for general purpose use.

The electronic thermostats can be used for cooling and heating application in a temperature range of -55 °C to +50 °C.

### Material

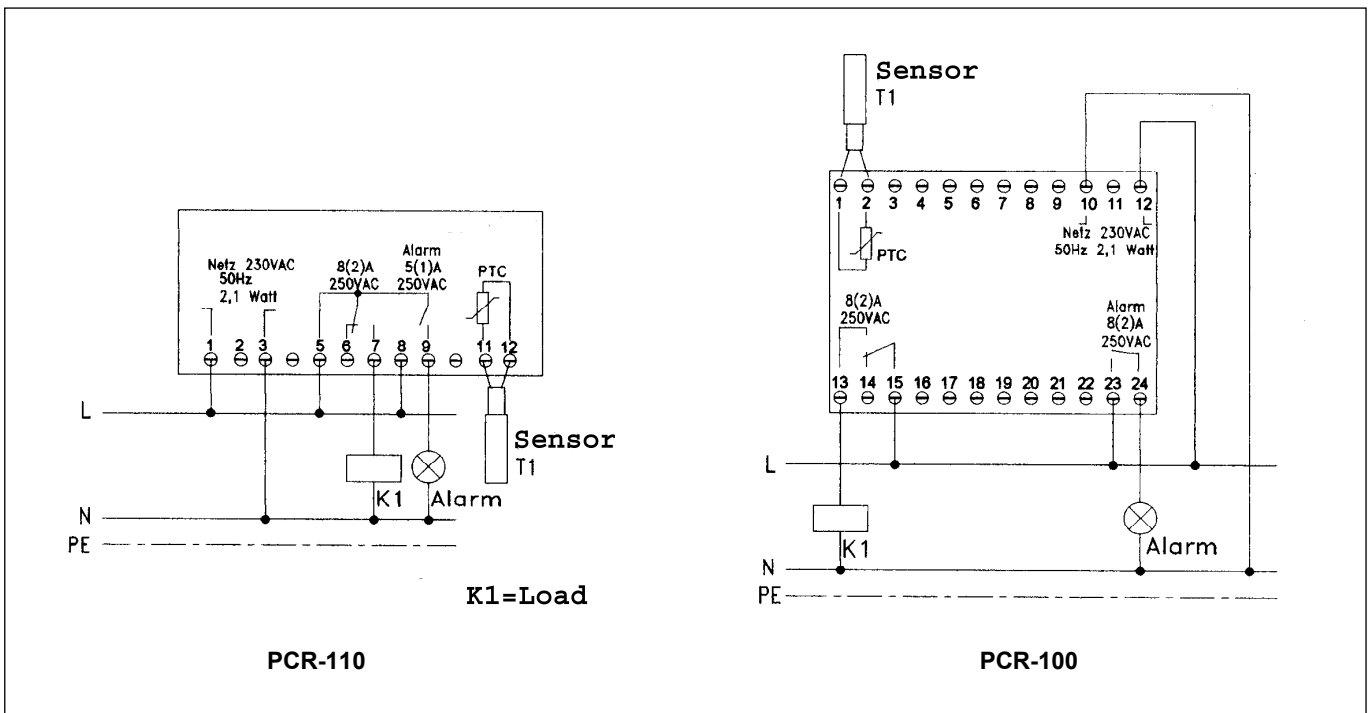
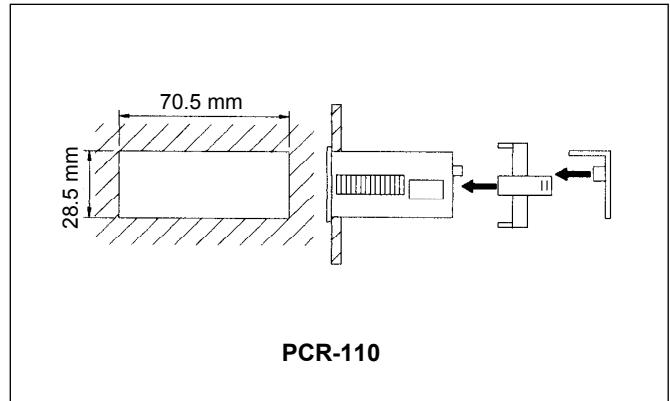
**Housing** ABS-plastic, self-extinguishing

## Dimensions and Weight

Type	Dimensions of housing (mm)			Weight (kg)
	W	H	D	
PCR-100	70	85	61	approx. 0.33
PCR-110	70	32	74	approx. 0.24

## Installation

- Operate only in dry places
- Snap-in installation housing:
  - Fit unit in a recess 28.5 x 70.5 mm
  - maximum wall thickness: 22 mm
  - Secure housing with the mounting frame
- 4 DIN standard modular housing:
  - Open out the side mounting tabs
  - Clip the unit on to 35 mm rail
  - press tabs in again
- Respect the wiring diagram
- Tighten screws of connectors carefully



**Honeywell**

### Automation and Control Solutions

Honeywell GmbH  
 Hardhofweg  
 74821 Mosbach/Germany  
 Phone: +49 (0) 62 61 / 81-475  
 Fax: +49 (0) 62 61 / 81-461  
 E-Mail: [cooling.mosbach@honeywell.com](mailto:cooling.mosbach@honeywell.com)  
[www.honeywell-cooling.com](http://www.honeywell-cooling.com)

Manufactured for and on behalf of the  
 Environment and Combustion Controls  
 Division of Honeywell Technologies Sàrl,  
 1180 Rolle, Z. A. La Pièce 16, Switzerland  
 by its authorized representative Honeywell GmbH