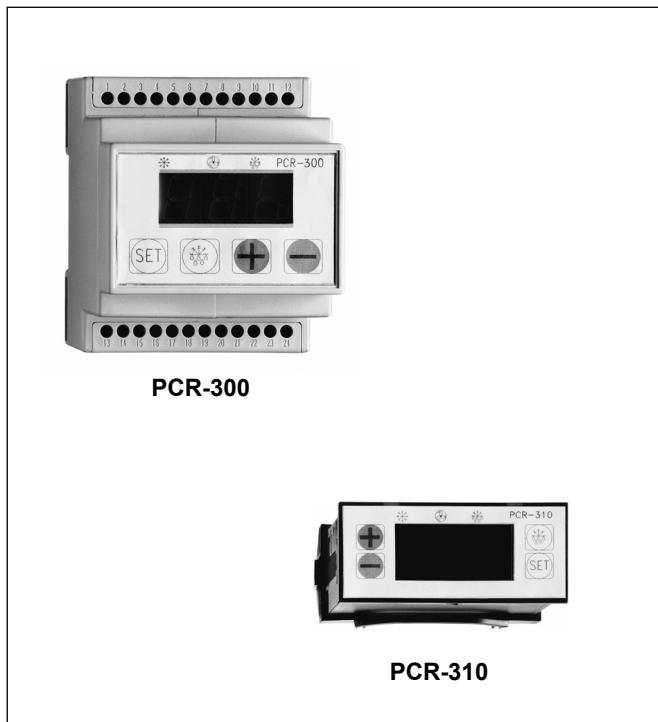


Series PCR-300/-310/-410/-300RC ELECTRONIC COLD STORE CONTROLS

PRODUCT DATA



Features

- User friendly programming
- Compressor control with delayed start-up
- Evaporator fan control; fan in combination with compressor, operating continuously or switched via the evaporator temperature.
- Defrost control for electrical heating or hot-gas defrosting; initiated via programmable time intervals, at PCR-300RC by real-time clock
- Alarm output (not for PCR-310)
- Red digital display, good visibility
- Module housing for 35 mm standard DIN rail at PCR-300 and PCR-300RC
- Snap-in installation housing at PCR-310 and PCR-410 for aperture 28.5 x 70.5 mm
- Mains transformer integrated at PCR-300, PCR-300RC
- External transformer at PCR-310, PCR-410
- 2 PTC sensors with stainless steel sleeves for room temperature and defrost termination

Specification (1)

Power supply	PCR-300, PCR-300RC mains transformer installed: 230 V, $\pm 10\%$, 50/60 Hz PCR-310, PCR-410 12 V AC $\pm 10\%$, 50/60 Hz or 12 V DC $\pm 10\%$ external Transformer TR-310: Prim.: 230 V AC $\pm 10\%$, 50/60 Hz Sec.: 12 V AC
Power consumption	2.5 Watt
Control performance	on/off
Display	3-digit, 7-segment, LED red, height 14.2 mm
Resolution	1 K
Display accuracy	± 0.5 K internally, ± 1 digit at 25 °C
Measuring range	-55 °C to +50 °C
Inputs	2 PTC sensors

Continued on page 2

Application

PCR-300, PCR-310, PCR-410 and PCR-300RC are microprocessor-controlled cold store controls for refrigeration and deep freeze systems.

The control switch the compressor, evaporator fan and the defrost heating depending on the cold store temperature and the adjusted parameters.

Material

Housing ABS-plastic, self-extinguishing

Specification (2)

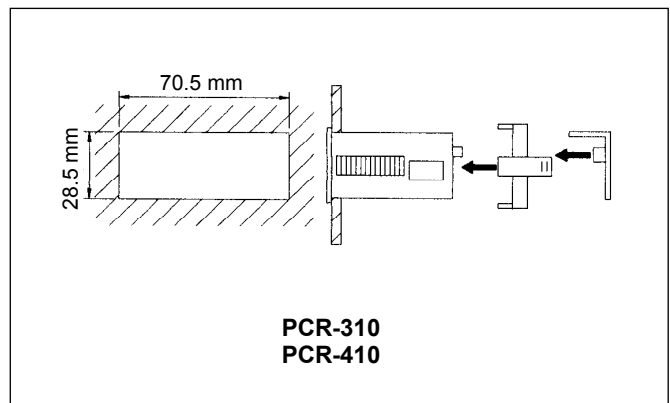
Outputs	<p>compressor: 1 relay with changeover contact, 8 A, 230 V AC, resistive load</p> <p>evaporator fan: 1 relay with N.O. contact, 8 A (5 A PCR-300RC), 230 V AC, resistive load</p> <p>defrost heating: 1 relay with N.O. contact, 8 A (5 A PCR-300RC), 230 V AC, resistive load</p> <p>alarm: PCR-300, PCR-300RC: Opto-bidirectional triode thyristor, 250 VAC, min. load 40 mA, max. load 80 mA PCR-410: 1 relay with N.O. contact, 8 A, 230 V AC, resistive load</p>	Sensor	<p>PTC sensor, cable length 2.5 m, accuracy $\pm 2\%$</p> <p>range of use: -30 °C to +80 °C cable not fixed -40 °C to +80 °C cable fixed</p>
		Ambient temperature/humidity	<p>in operation: 0° to 50 °C, 30 to 85 % R.H. excluding dew</p> <p>in storage: -20 °C to +80 °C</p>
		Data back up	<p>Non-volatile memory EEPROM, Real time clock with back up battery (PCR-300RC)</p>
		Connectors	<p>250V / 10 A screw-type terminal strips, max. 1.5 mm²</p>
		Protective rating	<p>Housing: IP 20 front panel: IP 52, protection class 2</p>

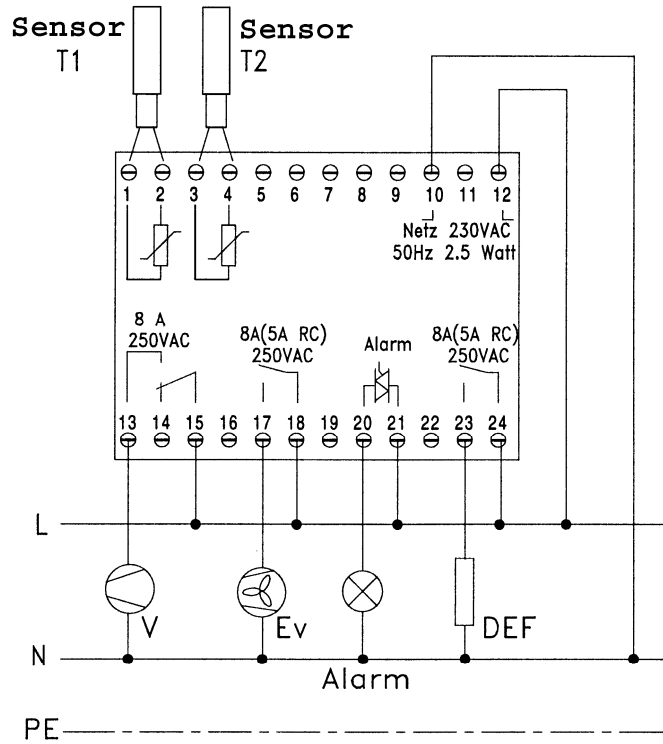
Dimensions and Weight

Type	Dimensions of housing (mm)			Weight (kg)
	W	H	D	
PCR-300	70	85	61	approx. 0.42
PCR-310 Transformer	70 52	32 47	74 34	approx. 0.52
PCR-410 Transformer	70 52	32 47	74 34	approx. 0.52
PCR-300RC	70	85	61	approx. 0.42

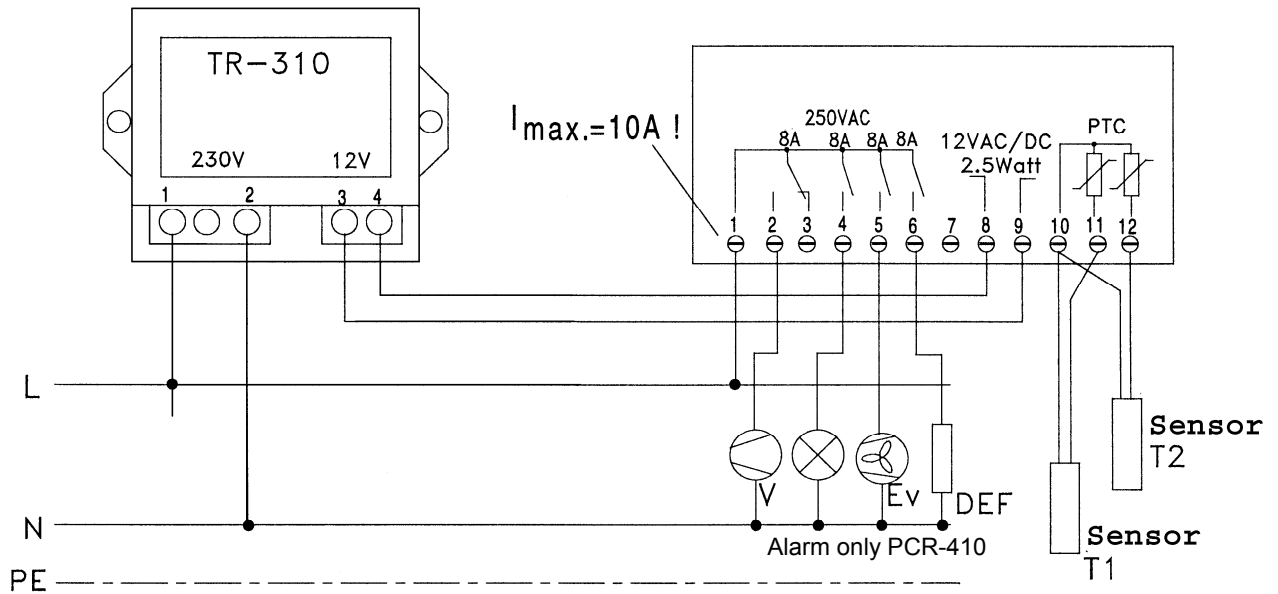
Installation

- Operate only in dry places
- Snap-in installation housing:
 - Fit unit in a recess 28.5 x 70.5 mm
 - maximum wall thickness: 22 mm
 - Secure housing with the mounting frame
- 4 DIN standard modular housing:
 - Open out the side mounting tabs
 - Clip the unit on to 35 mm rail
 - press tabs in again
- Respect the wiring diagram
- Tighten screws of connectors carefully





PCR-300
PCR-300RC



PCR-310
PCR-410

Honeywell

Automation and Control Solutions

Honeywell GmbH
Hardhofweg
74821 Mosbach/Germany
Phone: +49 (0) 62 61 / 81-475
Fax: +49 (0) 62 61 / 81-461
E-Mail: cooling.mosbach@honeywell.com
www.honeywell-cooling.com

Manufactured for and on behalf of the
Environment and Combustion Controls
Division of Honeywell Technologies Sàrl,
1180 Rolle, Z. A. La Pièce 16, Switzerland
by its authorized representative Honeywell GmbH

KAT-PCR300-002