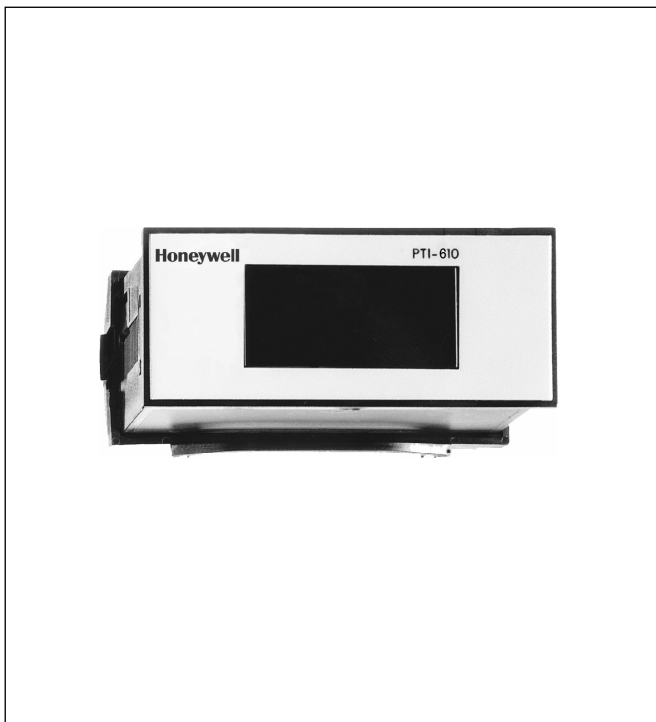


## Series PTI-610

### ELECTRONIC TEMPERATURE DISPLAY

#### PRODUCT DATA



#### Application

PTI-610 is an electronic temperature display for general purpose use. The display do have a snap-in housing for installation in a control panel.

#### Material

**Housing** ABS-plastic, self-extinguishing

#### Features

- Red digital display, good visibility
- Display for °C and °F selectable
- Snap-in installation for aperture 28.5 x 70.5 mm
- Retaining frame for wall thickness up to 22 mm
- PTC sensors with stainless steel sleeves
- Electronic sensor-line up, if required
- Mains transformer integrated

#### Specification

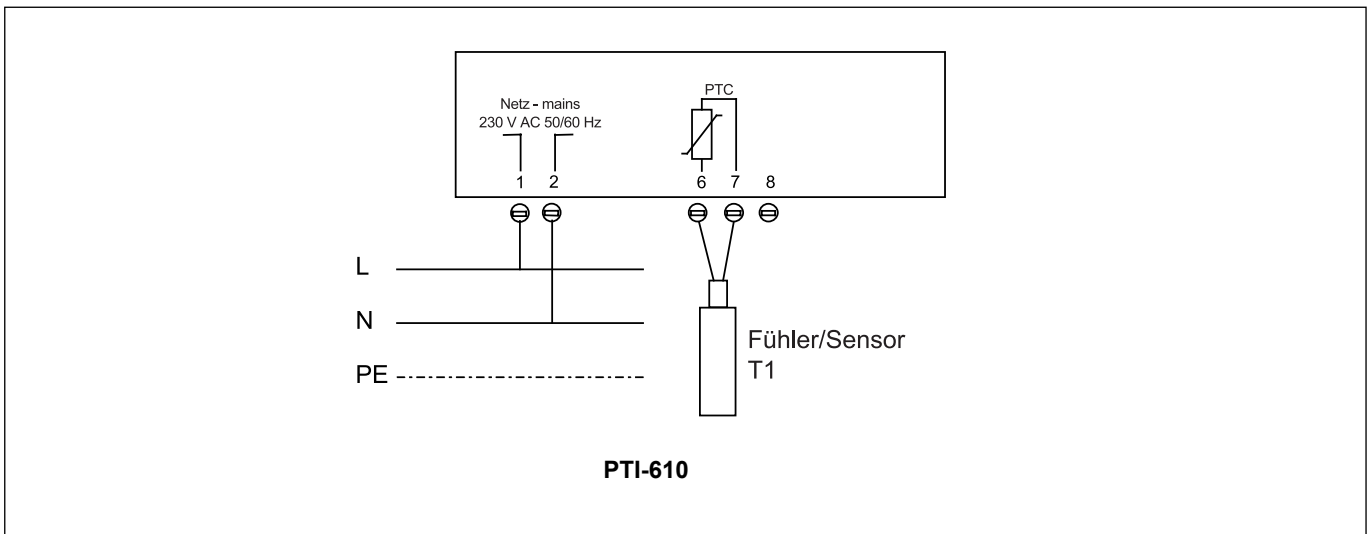
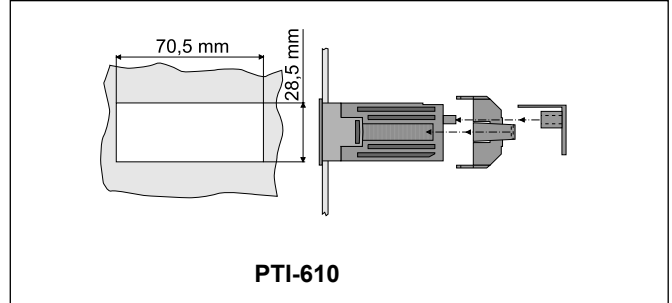
<b>Power supply</b>	230 V, $\pm 10\%$ , 50/60 Hz
<b>Power consumption</b>	1.3 Watt
<b>Display</b>	3-digit, 7-segment, LED red, height 14.2 mm
<b>Resolution</b>	1 K
<b>Display accuracy</b>	$\pm 0.5$ K internally, $\pm 1$ digit at 25 °C
<b>Measuring range</b>	-55 °C to +99 °C -67 °F to +99 °F
<b>Input</b>	analogue input for PTC sensor
<b>Sensor</b>	PTC sensor, cable length 2.5 m, accuracy $\pm 2\%$  range of use: -30 °C to +80 °C cable not fixed -40 °C to +80 °C cable fixed
<b>Ambient temperature/humidity</b>	in operation: 0° to + 50 °C, 30 to 85 % R.H. excluding dew  in storage: -20 °C to +80 °C
<b>Connectors</b>	10 A screw-type terminal strips, max. 1.5 mm
<b>Protective rating</b>	Housing: IP 20 front panel: IP 52, protection class 2

## Dimensions and Weight

Type	Dimensions of housing (mm)			Weight (kg)
	W	H	D	
PTI-610	70	32	74	approx. 0.27

## Installation

- Operate only in dry places
- Snap-in installation housing:
  - Fit unit in a recess 28.5 x 70.5 mm
  - maximum wall thickness: 22 mm
  - Secure housing with the mounting frame
- Respect the wiring diagram
- Tighten screws of connectors carefully



**Honeywell**

### Automation and Control Solutions

Honeywell GmbH  
 Hardhofweg  
 74821 Mosbach/Germany  
 Phone: +49 (0) 62 61 / 81-475  
 Fax: +49 (0) 62 61 / 81-461  
 E-Mail: [cooling.mosbach@honeywell.com](mailto:cooling.mosbach@honeywell.com)  
[www.honeywell-cooling.com](http://www.honeywell-cooling.com)

Manufactured for and on behalf of the  
 Environment and Combustion Controls  
 Division of Honeywell Technologies Sàrl,  
 1180 Rolle, Z. A. La Pièce 16, Switzerland  
 by its authorized representative Honeywell GmbH