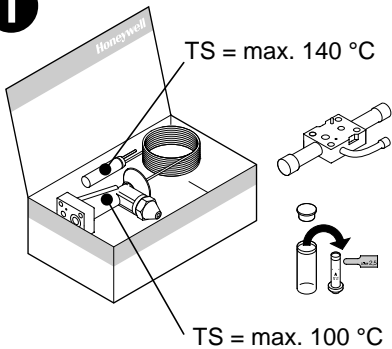


TMVL

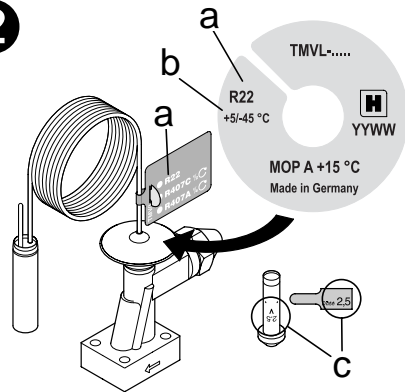
Einbau-Anleitung • Installation instructions • Instructions de montage
Istruzioni per il montaggio • Instrucciones de instalación

1



PS = max. 29 bar
P_{test} = max. 32 bar
 $\Delta t_{oh, stat} \approx 3 K$

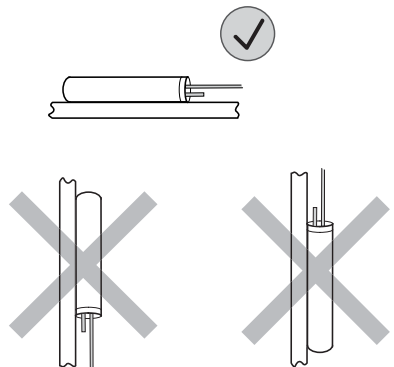
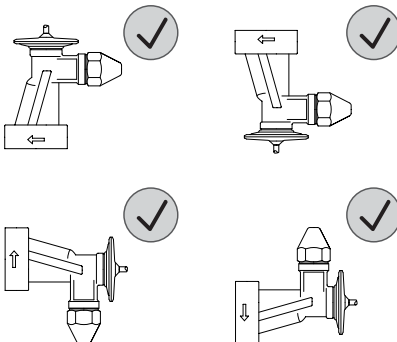
2

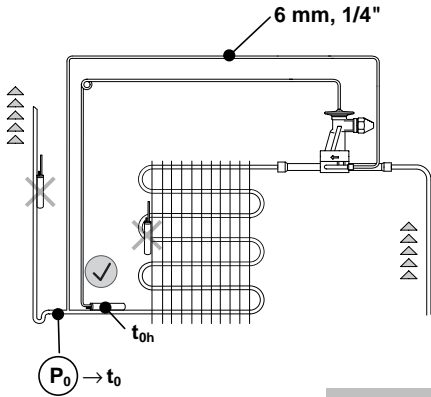
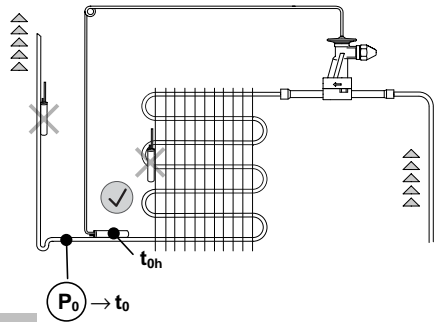


- a) **R22, R407C, R407A**
R134a, R401A, R12
R404A, R507, R402A, R407B, R502
R124
R227
- b) $t_{0, max} / t_{0, min}$
- c) 0.3 - 4.5 => **12**

3

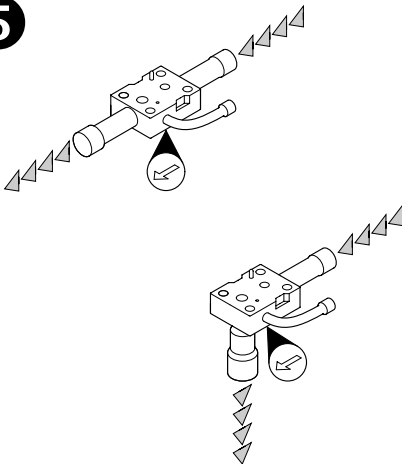
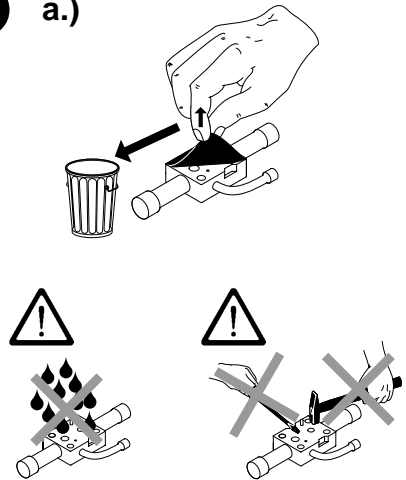
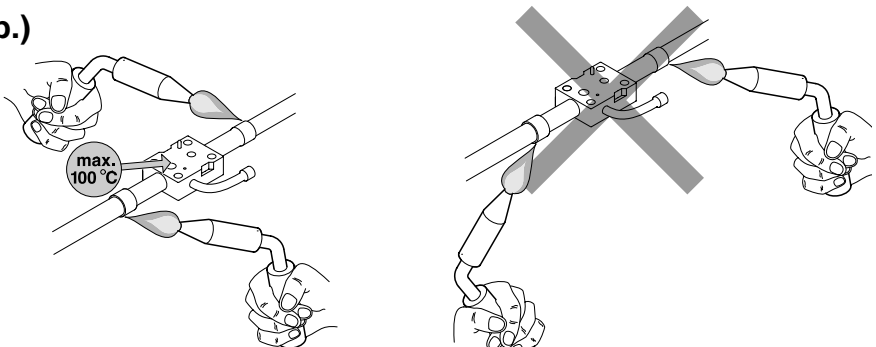
§ EN 378 !



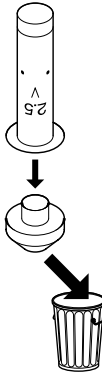
4**TMVLX****TMVL**

$$\Delta t_{oh} = t_{oh} - t_0$$

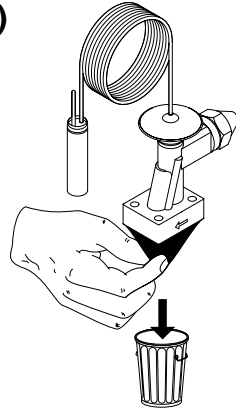
$$\Delta t_{oh} \neq ok \Rightarrow \text{II}$$

5**6****a.)****6****b.)**

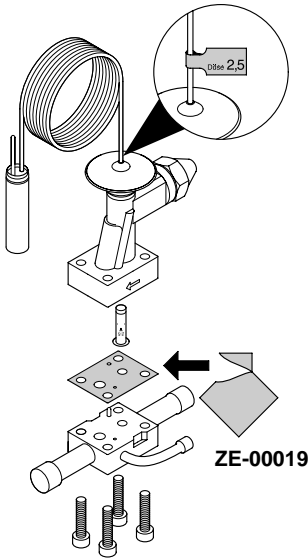
7 a.)



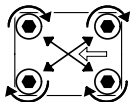
7 b.)



7 c.)

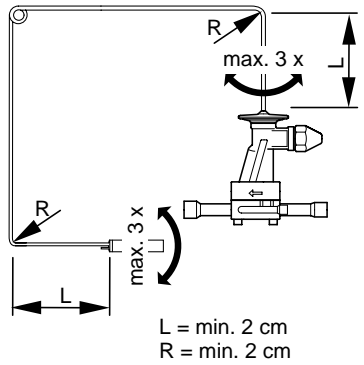


12 Nm 12 Nm



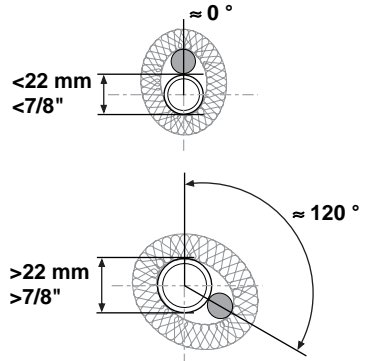
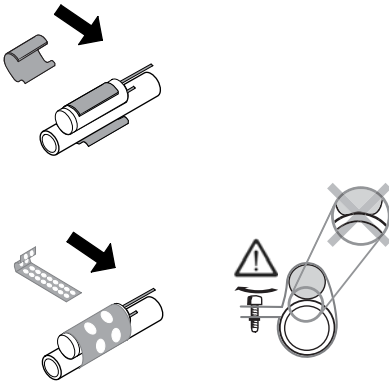
12 Nm 12 Nm

8



L = min. 2 cm
R = min. 2 cm

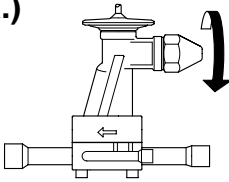
9



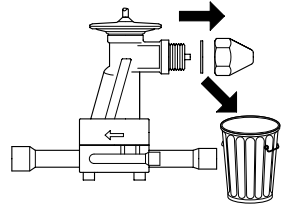
10

- R22 → R407C, R407A
R134a → R401A, R12
R404A → R507, R402A, R407B, R502

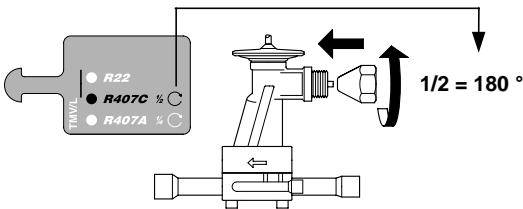
a.)



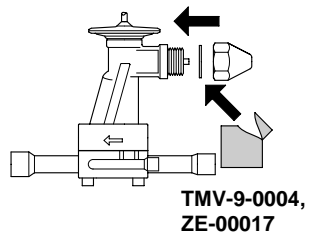
b.)



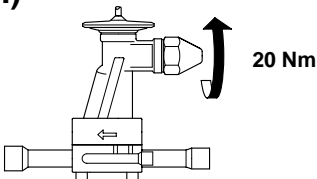
c.)



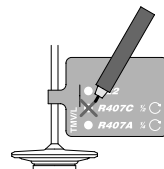
d.)



e.)



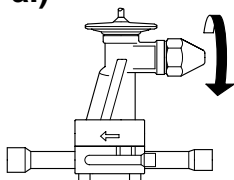
f.)



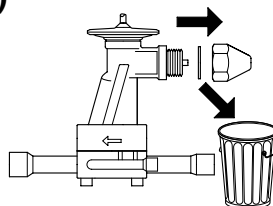


$\Delta t_{oh} \neq ok$

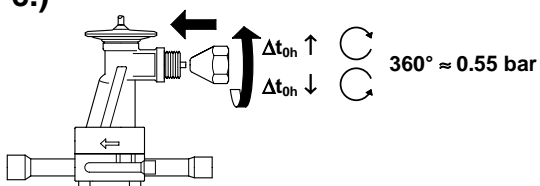
a.)



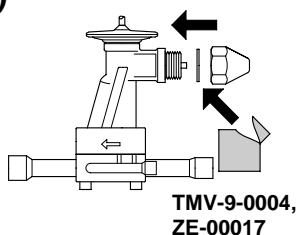
b.)



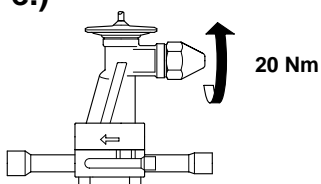
c.)



d.)



e.)



f.)



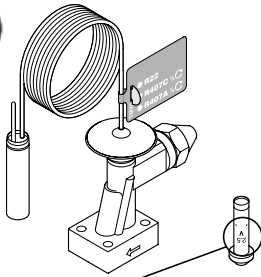
$\Delta t_{oh} \uparrow \Rightarrow MOP \downarrow$

$\Delta t_{oh} \downarrow \Rightarrow MOP \uparrow$



$\Delta t_{oh} > 0$

12



	Q ₀ [kW]													
	R22	R407C	R407A	R134a	R401A	R12	R404A	R507	R402A	R407B	R502	R124	R227	
0.3	0.5	0.5	0.5	0.34	0.4	0.3	0.37	0.37	0.39	0.4	0.34	0.29	0.2	
0.5	1.0	1.0	1.0	0.65	0.75	0.5	0.7	0.7	0.73	0.8	0.65	0.55	0.4	
0.7	1.3	1.3	1.3	0.9	1.0	0.7	1.0	1.0	1.0	1.1	0.9	0.75	0.5	
1.0	1.9	1.9	1.9	1.3	1.5	1.0	1.5	1.5	1.5	1.6	1.4	1.1	0.75	
1.5	3.1	3.1	3.1	2.1	2.4	1.7	2.3	2.3	2.4	2.5	2.2	1.8	1.3	
2.0	3.9	3.9	3.9	2.7	3.1	2.1	2.9	2.9	3.0	3.2	2.8	2.3	1.6	
2.5	5.6	5.6	5.6	3.8	4.4	2.9	4.2	4.2	4.3	4.6	4.0	3.3	2.3	
3.0	8.9	8.9	8.9	6.2	7.1	5.3	6.7	6.7	6.9	7.3	6.4	5.1	3.6	
3.5	11.7	11.7	11.7	8.2	9.3	6.1	8.8	8.8	9.0	9.6	8.6	6.8	4.7	
4.5	16.3	16.3	16.3	11.1	13.0	9.3	12.3	12.3	12.6	13.4	11.4	9.4	6.6	
4.75	21.5	21.5	21.5	15.0	17.1	11.9	16.2	16.2	16.6	17.6	14.6	12.4	8.7	

t ₀	-10 °C	-10 °C	-10 °C	-10 °C	-10 °C	-10 °C	-10 °C	-10 °C	-10 °C	-10 °C	-10 °C	+10 °C	+10 °C
t _c	+25 °C	+25 °C	+25 °C	+25 °C	+25 °C	+25 °C	+25 °C	+25 °C	+25 °C	+25 °C	+25 °C	+50 °C	+50 °C
Δt _{ca}	1 K	1 K	1 K	1 K	1 K	1 K	1 K	1 K	1 K	1 K	1 K	1 K	1 K

Honeywell

Automation and Control Solutions

Honeywell GmbH

Hardhofweg • 74821 Mosbach / Germany

Phone: +49 (0) 62 61 / 81-475

Fax: +49 (0) 62 61 / 81-461

E-Mail: Cooling.Mosbach@honeywell.com

www.honeywell-cooling.com

Manufactured for and on behalf of the
 Environment and Combustion Controls
 Division of Honeywell Technologies Sàrl,
 Ecublens, Route du Bois 37, Switzerland
 by its authorised representative Honeywell GmbH