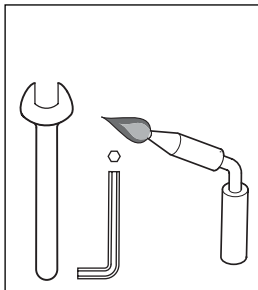









## TLEX, TOEX, TBEX TLESX, TOESX, TBESX



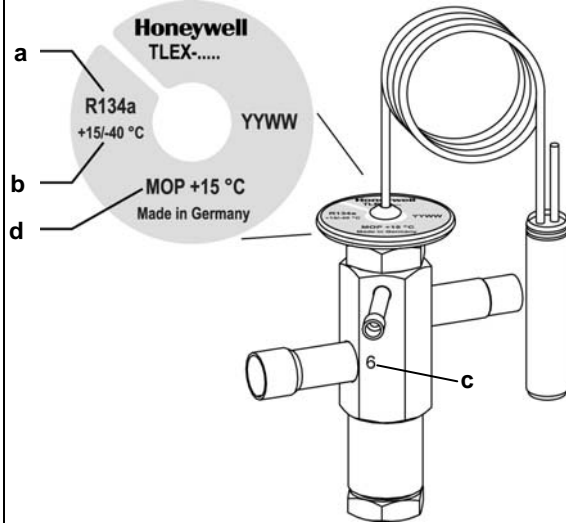
<p><b>TLEX 4,75 - 7</b></p> 	<p><b>TLEX 8 - 11</b></p> 	<p><b>TOEX</b></p> 	<p><b>TBEX</b></p> 
<p><b>TLESX</b></p> 	<p><b>TOESX</b></p> 	<p><b>TBESX</b></p> 	



PS ⇒   
PF ⇒ 

TS = max. 140°C (gas charge - MOP)  
max. 70°C (liquid charge - F)  
 $\Delta t_{oh, stat} \approx 3.5 \text{ K}$

§ EN 378  
EN 13313

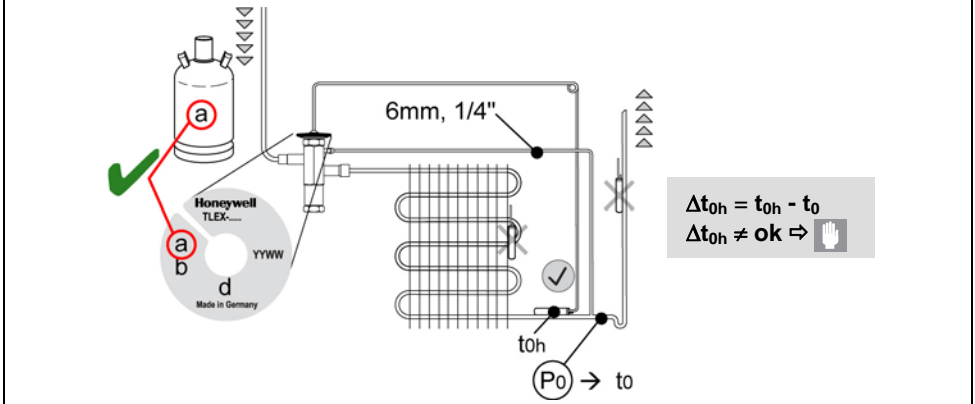
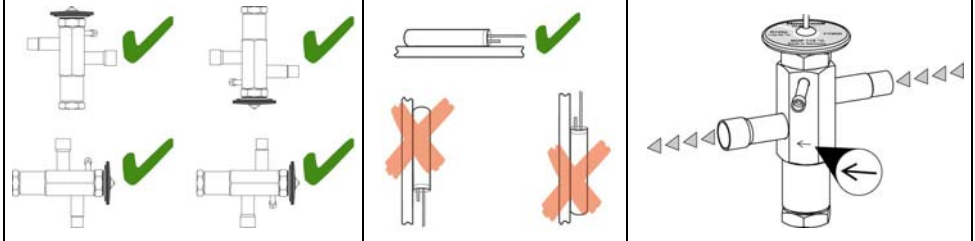


a) R22, R134a, R227, R404A, R407C, R410A

b)  $t_{0, \max} / t_{0, \min}$

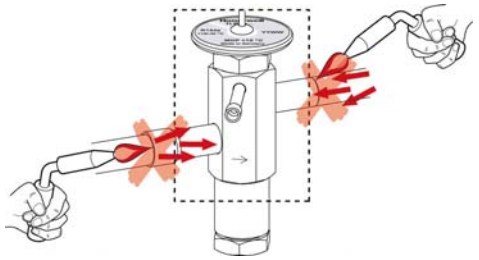
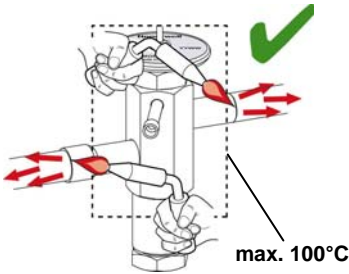
c) 4.75...11 ⇒

d) MOP: Gas Charge  
F: Liquid Charge

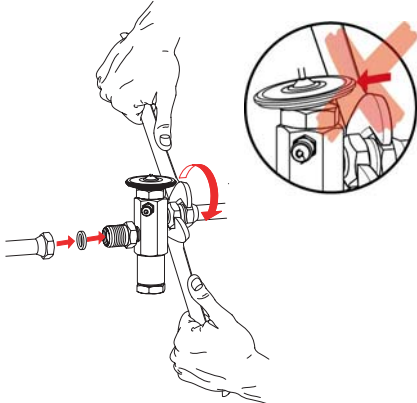




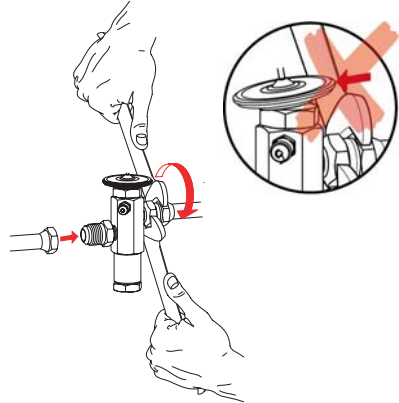
# 1 TLEX, TLESX



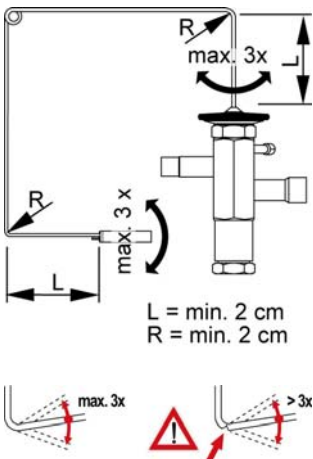
# 1 TOEX, TOESX



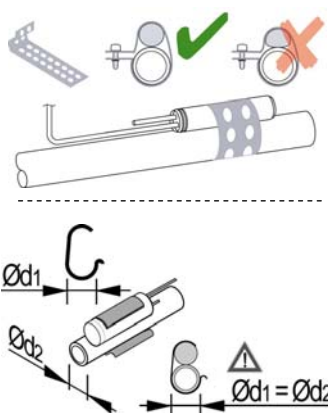
# 1 TBEX, TBESX



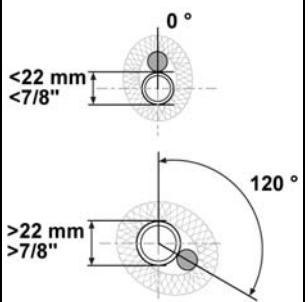
## 2



## 3

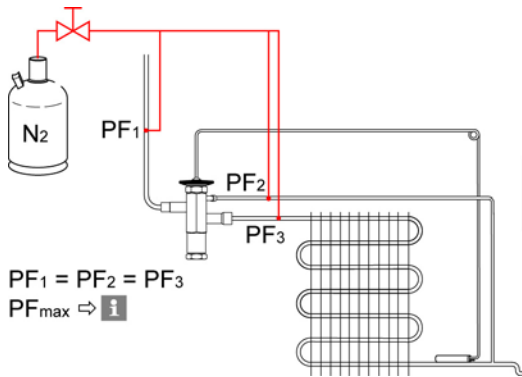


## 4



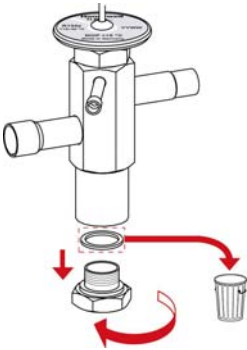


## 5 TLEX, TOEX, TBEX

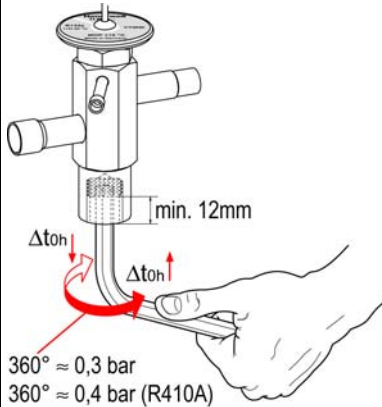


$\Delta t_{oh} \neq ok$

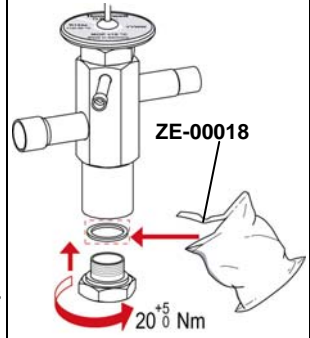
1



2



3



$\Delta t_{oh} > 0$



$\Delta t_{oh} \uparrow \Rightarrow MOP \downarrow$

$\Delta t_{oh} \downarrow \Rightarrow MOP \uparrow$

<b>c</b>	<b>Q<sub>0</sub> [kW]</b>					
	<b>R22</b>	<b>R134a</b>	<b>R227</b>	<b>R404A</b>	<b>R407C</b>	<b>R410A</b>
4.75	22.4	15.9	8.7	15.8	21.6	26.8
5	29.1	20.0	11.3	20.5	28.0	34.8
6	42.4	27.6	16.4	29.8	40.8	50.8
7	54.5	35.3	21.1	38.3	52.5	65.3
8	64.1	43.3	24.9	45.1	61.8	76.9
10	75.1	51.0	29.1	52.8	72.3	90.0
11	95.8	65.0	37.0	67.4	92.3	115
t <sub>0</sub>	+4 °C	+4 °C	+10 °C	+4 °C	+4 °C	+4 °C
t <sub>e</sub>	38 °C	38 °C	+50 °C	38 °C	38 °C	38 °C
Δt <sub>c2u</sub>	1 K	1 K	1 K	1 K	1 K	1 K

<b>a</b>	<b>b</b>	<b>d</b>	PS [bar(a)]	PF [bar(a)]
R22	+15 °C ... -45 °C	MOP +15 °C	36	39.6
	+10 °C ... -45 °C	MOP +10 °C	36	39.6
R134a	+20 °C ... -40 °C	MOP +20 °C	34	37.4
	+15 °C ... -40 °C	MOP +15 °C	34	37.4
	+10 °C ... -40 °C	MOP +10 °C	34	37.4
R227	+40 °C ... -10 °C	F	29	31.9

<b>a</b>	<b>b</b>	<b>d</b>	PS [bar(a)]	PF [bar(a)]
R404A	+10 °C ... -50 °C	MOP +10 °C	36	39.6
	±0 °C ... -50 °C	MOP ±0 °C	36	39.6
R407C	+15 °C ... -30 °C	MOP +15 °C	36	39.6
	+10 °C ... -30 °C	MOP +10 °C	36	39.6
R410A	+15 °C ... -50 °C	MOP +15 °C	40	44

## **Automation and Control Solutions**

Honeywell GmbH

Hardhofweg

74821 MOSBACH

GERMANY

Phone: +49 (0) 6261 81-475

Fax: +49 (0) 6261 81-461

Email: [cooling.mosbach@honeywell.com](mailto:cooling.mosbach@honeywell.com)

[www.honeywell-cooling.com](http://www.honeywell-cooling.com)

# **Honeywell**

Manufactured for and on behalf of the Environmental and Combustion  
Controls Division of Honeywell Technologies Sàrl, Z.A. La Pièce 16,  
1180 Rolle, Switzerland by its authorised representative Honeywell GmbH

MU1H-1909GE23 R0411 - EB-TLEX-01

© 2011 Honeywell GmbH

Subject to change without notice • All rights reserved