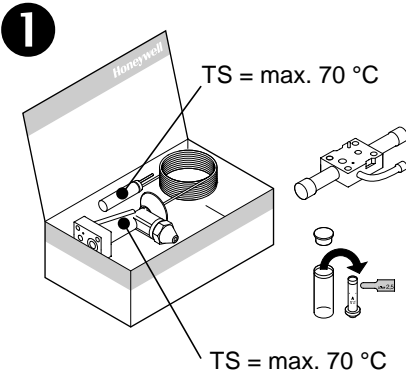
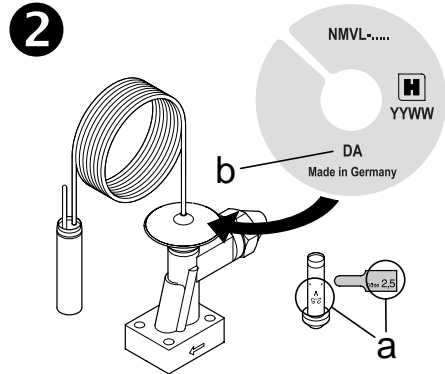


NMVL

Einbau-Anleitung • Installation instructions • Instructions de montage
Istruzioni per il montaggio • Instrucciones de instalación

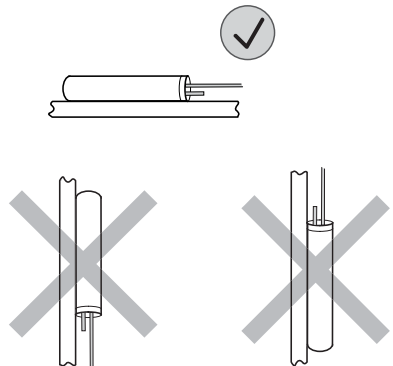
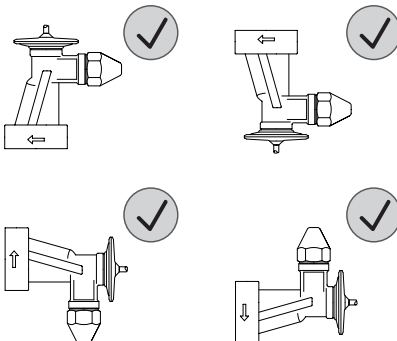


PS = max. 29 bar
P_{test} = max. 32 bar

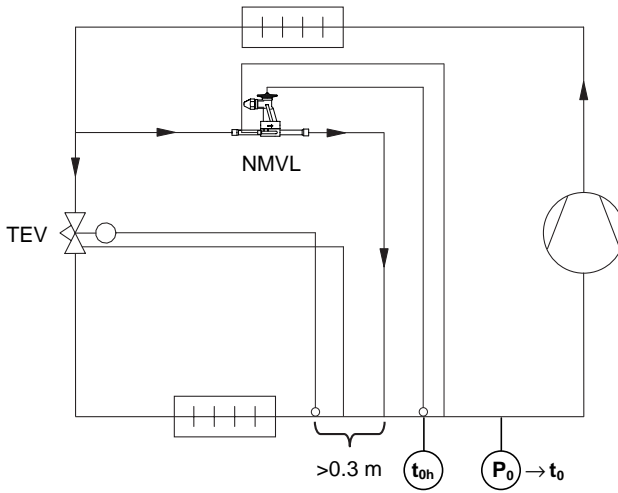


	$\Delta t_{oh, stat}$				
	R134a	R22	R404A	R407C	R507
DA	-	15 K	21 K	12 K	21 K
TA	15 K	30 K	35 K	26 K	35 K
LB	30 K	45 K	-	40 K	-

3  EN 378 !

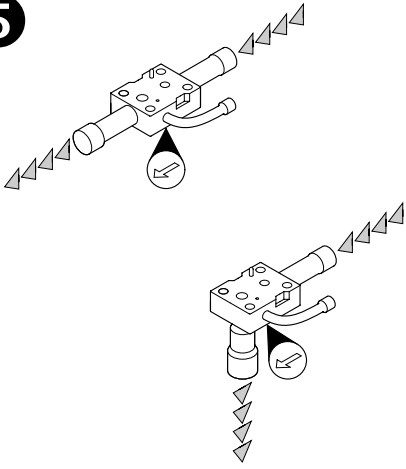


4



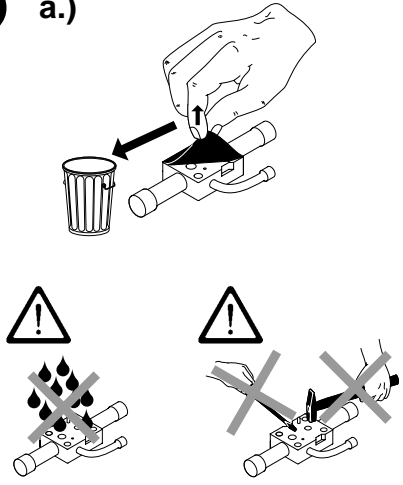
$\Delta t_{0h} = t_{0h} - t_0$
 $\Delta t_{0h} \neq ok \Rightarrow \text{Ⓢ}$

5



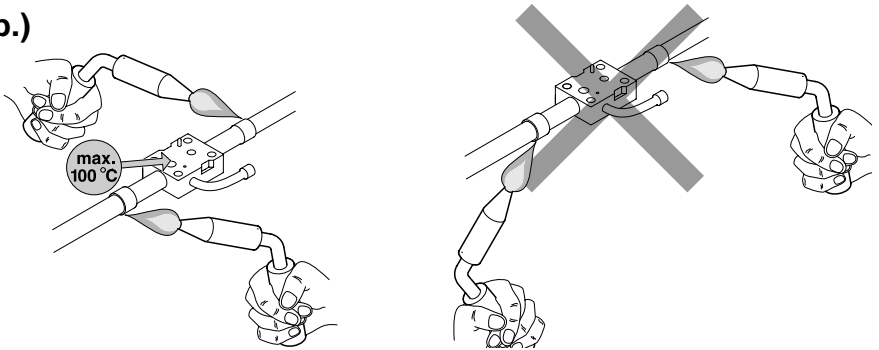
6

a.)

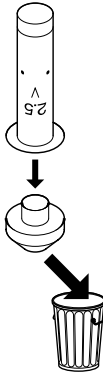


6

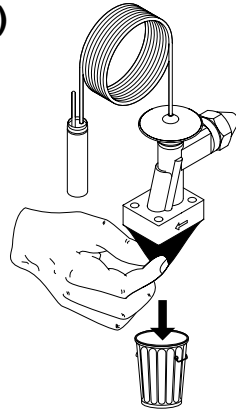
b.)



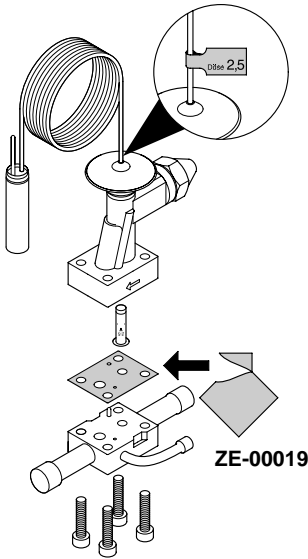
7 a.)



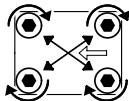
7 b.)



7 c.)

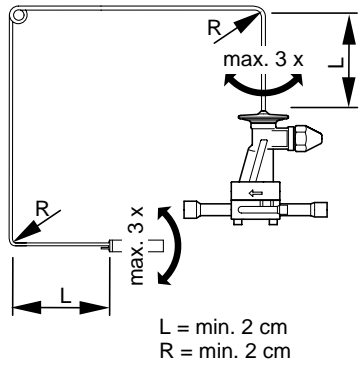


12 Nm 12 Nm



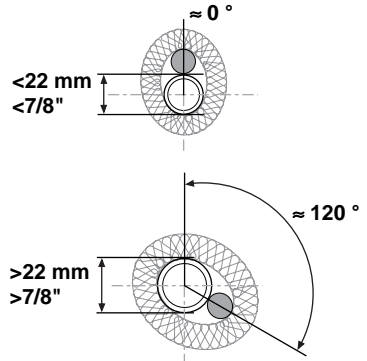
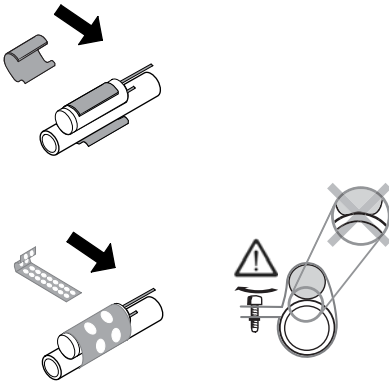
12 Nm 12 Nm

8



L = min. 2 cm
R = min. 2 cm

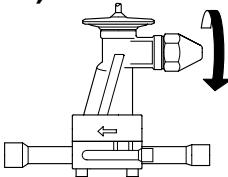
9



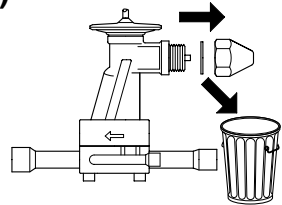
10

$\Delta t_{oh} \neq ok$

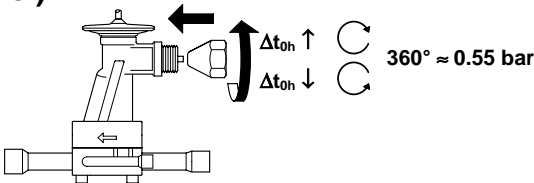
a.)



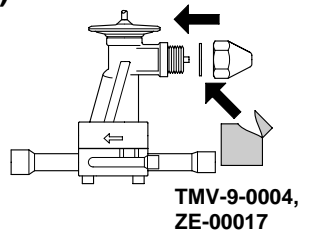
b.)



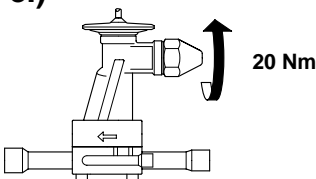
c.)



d.)



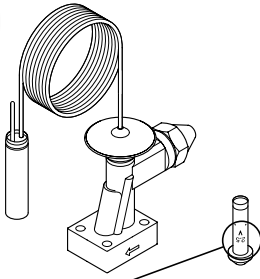
e.)



f.)



11



	P [kW]				
	R134a	R22	R404A	R407C	R507
0.3	0.36	0.52	0.36	0.50	0.36
0.5	0.69	0.99	0.68	0.95	0.69
0.7	0.96	1.4	0.97	1.3	0.98
1.0	1.4	2.0	1.4	1.9	1.4
1.5	2.2	3.2	2.2	3.1	2.3
2.0	2.9	4.0	2.8	3.9	2.9
2.5	4.0	5.8	4.1	5.6	4.1
3.0	6.6	9.3	6.5	8.9	6.6
3.5	8.7	12.2	8.6	11.7	8.7
4.5	11.8	17.0	12.0	16.4	12.1
4.75	15.9	22.4	15.8	21.6	15.9
t₀	+4 °C	+4 °C	+4 °C	+4 °C	+4 °C
t_c	+38 °C	+38 °C	+38 °C	+38 °C	+38 °C
Δt_{c2u}	1 K	1 K	1 K	1 K	1 K

Honeywell

Automation and Control Solutions

Honeywell GmbH

Hardhofweg • 74821 Mosbach / Germany

Phone: +49 (0) 62 61 / 81-475

Fax: +49 (0) 62 61 / 81-461

E-Mail: Cooling.Mosbach@honeywell.com

www.honeywell-cooling.com

Manufactured for and on behalf of the
Environment and Combustion Controls
Division of Honeywell Technologies Sàrl,
Ecublens, Route du Bois 37, Switzerland
by its authorised representative Honeywell GmbH