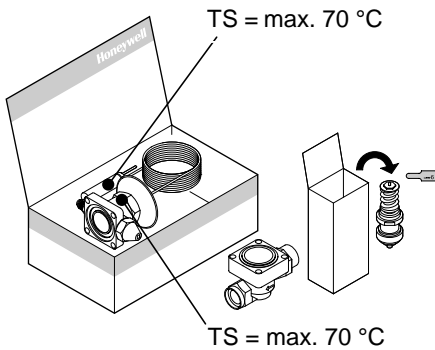


NMX

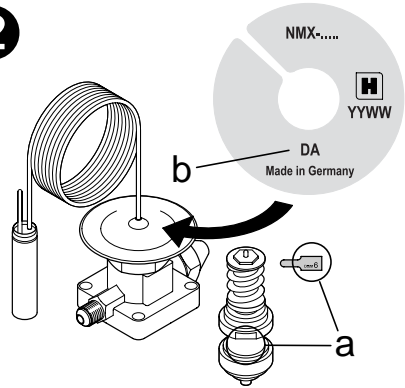
Einbau-Anleitung • Installation instructions • Instructions de montage
Istruzioni per il montaggio • Instrucciones de instalación

1



PS = max. 29 bar
P_{test} = max. 32 bar

2

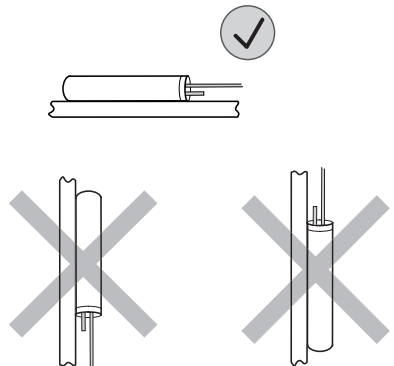
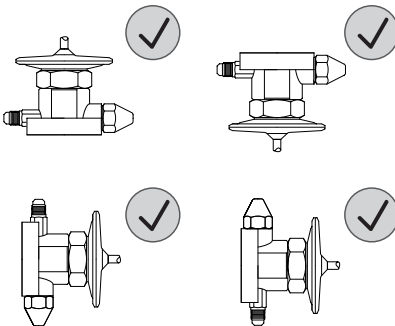


a) 4.5 - 10
b) DA, TA, LB

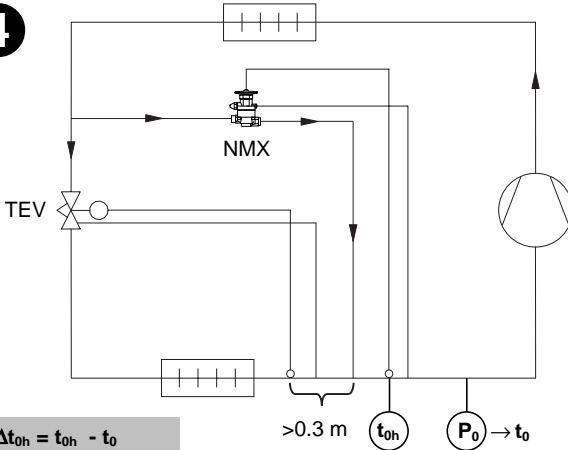
	$\Delta t_{oh, stat}$				
	R134a	R22	R404A	R407C	R507
DA	-	15 K	21 K	12 K	21 K
TA	15 K	30 K	35 K	26 K	35 K
LB	30 K	45 K	-	40 K	-

3

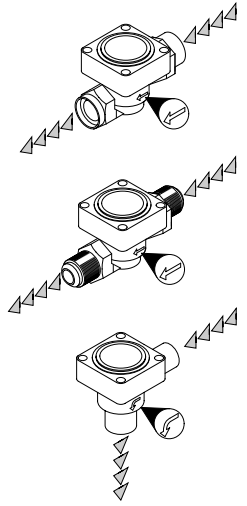
§ EN 378 !



4



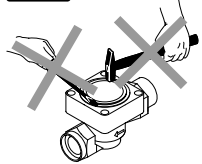
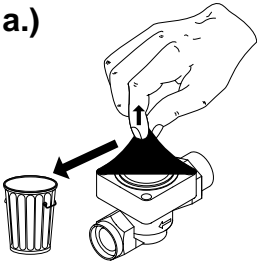
5



$\Delta t_{0h} = t_{0h} - t_0$
 $\Delta t_{0h} \neq \text{ok} \Rightarrow \text{!}$

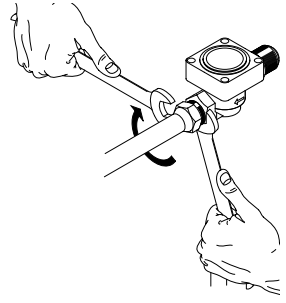
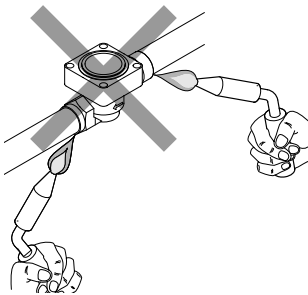
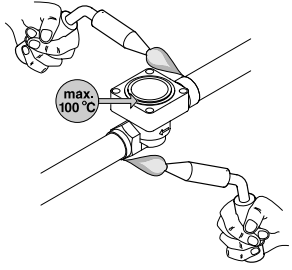
6

a.)

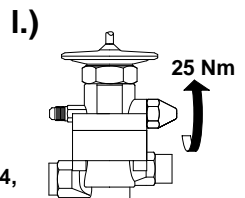
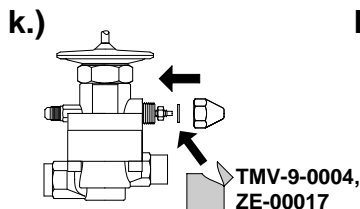
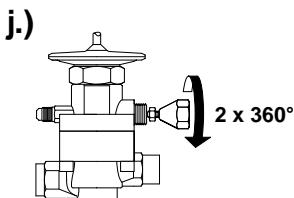
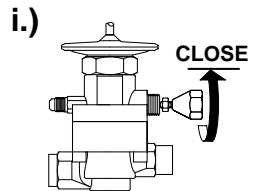
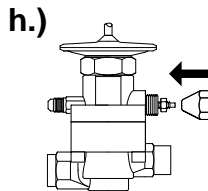
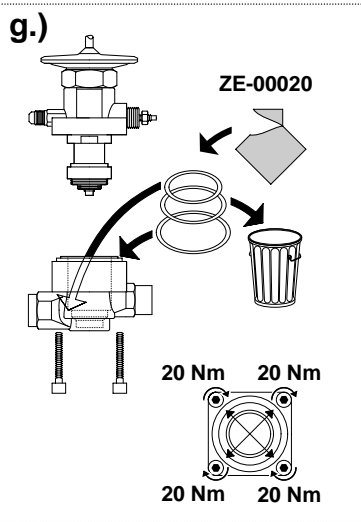
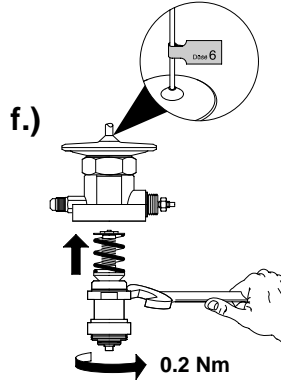
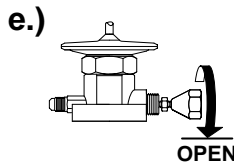
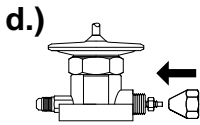
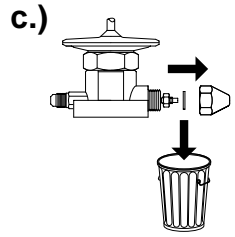
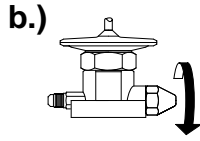
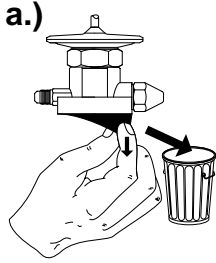


6

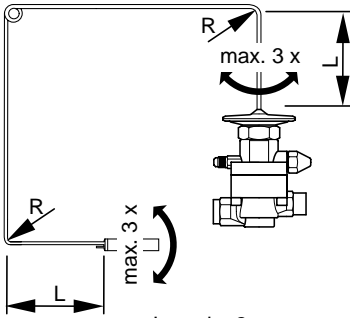
b.)



7

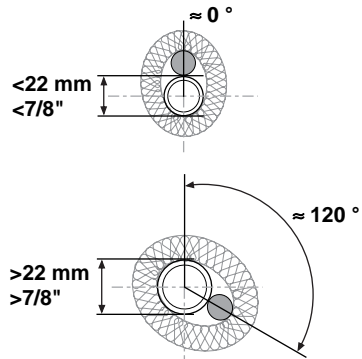
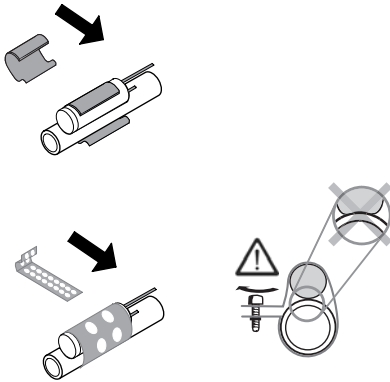


8



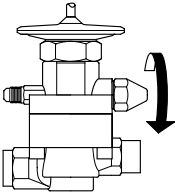
L = min. 2 cm
R = min. 2 cm

9

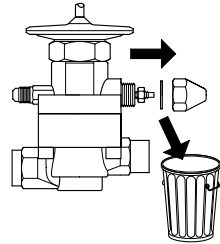


10 $\Delta t_{0h} \neq ok$

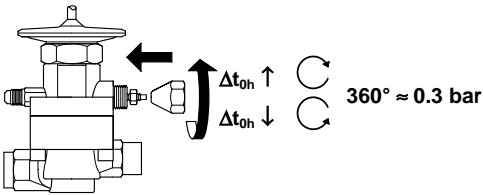
a.)



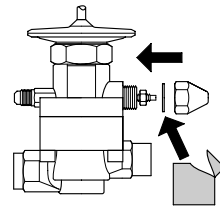
b.)



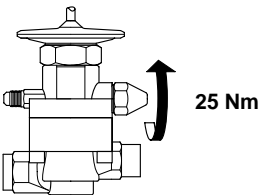
c.)



d.)

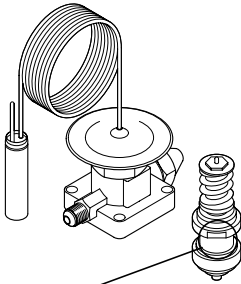
**TMV-9-0004,
ZE-00017**

e.)



f.)

 $\Delta t_{0h} > 0$

11

	P [kW]				
	R134a	R22	R404A	R407C	R507
4.5	11.8	17.0	12.0	16.4	12.1
4.75	15.9	22.4	15.8	21.6	15.9
5	20.0	29.1	20.5	28.0	20.7
6	27.6	42.4	29.8	40.8	30.1
7	35.3	54.5	38.3	52.5	38.7
8	43.3	64.1	45.1	61.8	45.6
10	51.0	75.1	52.8	72.3	53.3
t_0	+4 °C	+4 °C	+4 °C	+4 °C	+4 °C
t_c	+38 °C	+38 °C	+38 °C	+38 °C	+38 °C
Δt_{c2u}	1 K	1 K	1 K	1 K	1 K

Honeywell

Automation and Control Solutions

Honeywell GmbH

Hardhofweg • 74821 Mosbach / Germany

Phone: +49 (0) 62 61 / 81-475

Fax: +49 (0) 62 61 / 81-461

E-Mail: Cooling.Mosbach@honeywell.com

www.honeywell-cooling.com

Manufactured for and on behalf of the
 Environment and Combustion Controls
 Division of Honeywell Technologies Sàrl,
 Ecublens, Route du Bois 37, Switzerland
 by its authorised representative Honeywell GmbH