

Series MA 042

SOLENOID VALVE NORMALLY CLOSED

PRODUCT DATA



Features

- **MA:** direct operated, angle construction
- Normally closed
- Hermetic construction
- Low pressure drop
- High performance
- Direct operated: no minimum pressure differential required to open the valve
- Solder connections
- Refrigerants: all CFC, HCFC, HFC, not for ammonia

Specification

Kv-value	0.12 m ³ /h
Maximum pressure PS	30 bar(a)
Maximum test pressure PF	42.6 bar(a)
Min. pressure differential	0 bar
Max. opening pressure differential MOPD	25 bar
Max. medium temperature	125 °C
Min. medium temperature	-45 °C
Max. ambient temperature	80 °C
Min. ambient temperature	-40 °C
Standard coil voltages	230 V AC, 50 Hz, 8 W
Voltage tolerance	±10%

Application

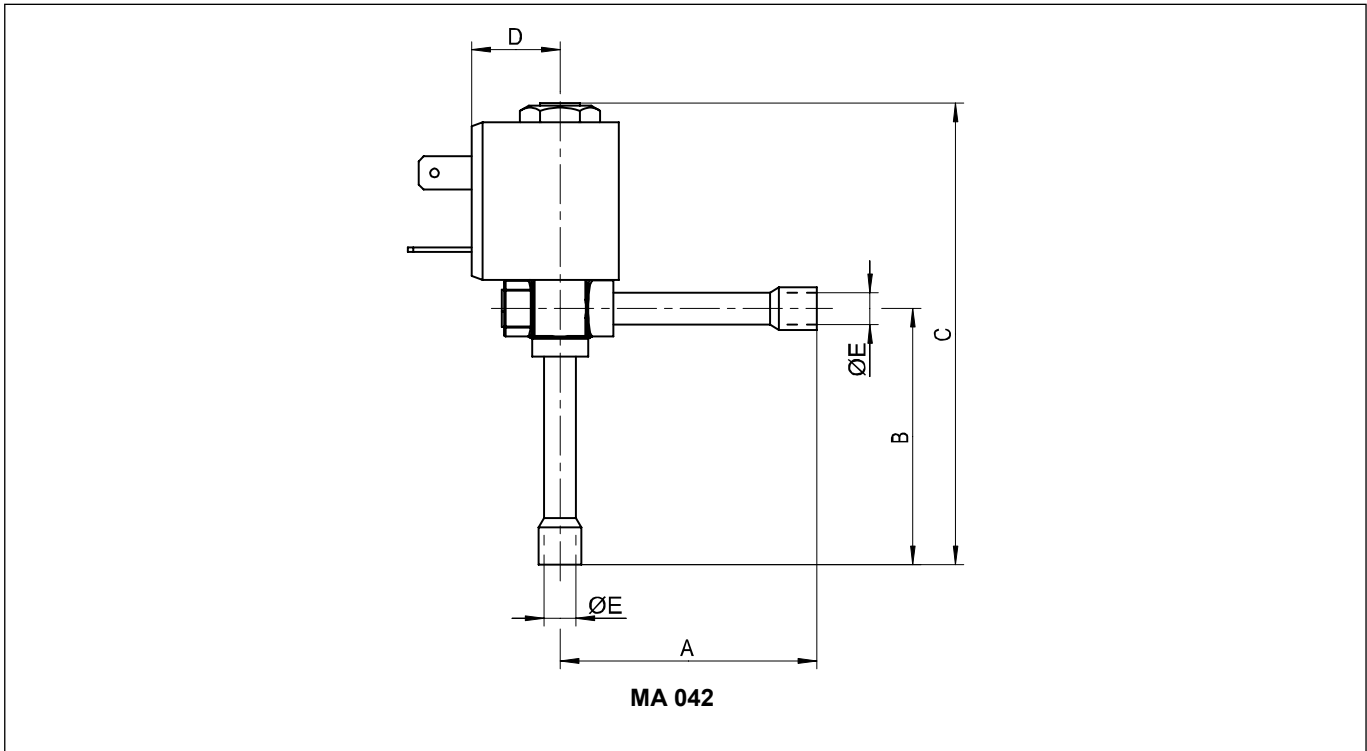
Solenoid valves series MA 042 are used to interrupt small refrigerant flow in a refrigerant cycle, preferably as defrost valve.

Materials

Body	brass, stainless steel
Seal material	PTFE
Connection tubes	copper
Coil	copper, steel, crastin

Dimensions and Weights

Type	kv-value (m ³ /h)	Connection (E)	Dimensions (mm)				Weight (kg)
			A	B	C	D	
MA 042MMS	0.12	6 mm ODF	48.0	48.0	86.5	16.5	0.10
MA 042S	0.12	1/4" ODF	48.0	48.0	86.5	16.5	0.10



Installation

- Position of plunger tube should be from upright to horizontal position.
- Arrow on valve body must correspond with flow direction.
- Fit solenoid valve so that it is drip proof.
- Remove coil before soldering
- Max. temperature of valve body: 125 °C.
- When soldering, always point flame away from valve body
- Voltage of coil and network must correspond.
- The flat spade terminals is the earth connection. The protective conductor must also be connected at the plant.
- Do not energize the coil before assembling on the valve body.
- Tighten fixing screw of connector.
- Constructive modifications at the valve are not allowed.

Honeywell

Automation and Control Solutions

Honeywell GmbH
 Hardhofweg
 74821 Mosbach/Germany
 Phone: +49 (0) 62 61 / 81-475
 Fax: +49 (0) 62 61 / 81-461
 E-Mail: cooling.mosbach@honeywell.com
www.honeywell-cooling.com

Manufactured for and on behalf of the
 Environment and Combustion Controls
 Division of Honeywell Technologies Sàrl,
 1180 Rolle, Z. A. La Pièce 16, Switzerland
 by its authorized representative Honeywell GmbH